

Fred V. Fowler Company, Inc.



Universal Electronic Micrometer



No. 54-817-777

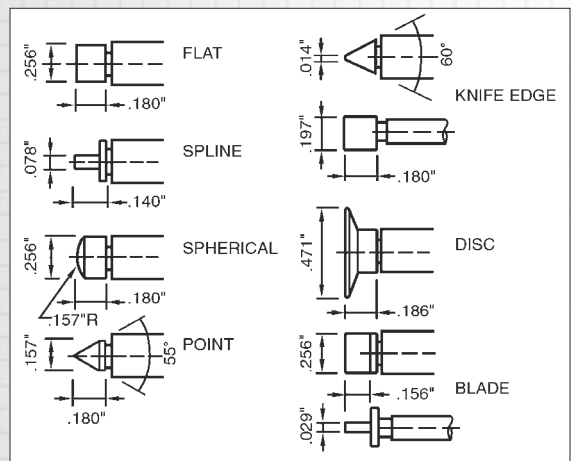


The new Fowler Universal Anvil Micrometer accepts 7 pairs of individual anvils making it possible to gage a variety of dimensions unacheivable with a single micrometer.

Replace 7 different micrometers with one tool creating up to 49 different combinations making this a truly universal tool.

Special Features:

- Resolution 0.00005" (0.001mm)
- Non-rotating spindle
- Direct inch metric conversion
- ABS/INC measuring mode
- Tolerance & preset function
- Comes complete with 7 anvil sets
- Satin chrome finish
- Includes fitted wood case
- Sizes over 1" include a standard.



| Order No. | Description |
|------------|--|
| 54-817-777 | 0-1"(0-25mm) Electronic Universal Anvil Micrometer |
| 54-817-778 | 1-2" (25-50mm) Electronic Universal Anvil Micrometer w/ standard |
| 54-902-110 | Type 357 replacement battery |