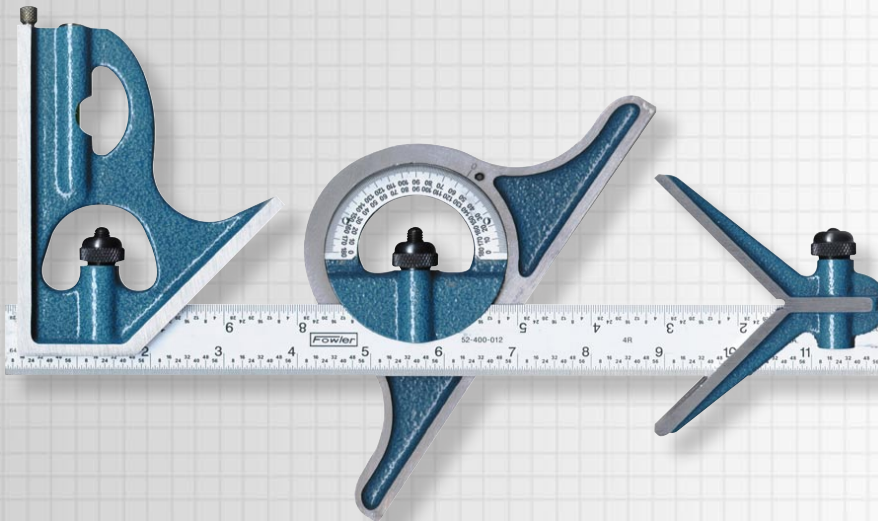


Fred V. Fowler Company, Inc.

Fowler

Combination Square Set



▲ Combination Square Set No. 52-370-012 (CAST HEADS)

Fowler's four piece Combination Sets are useful for all mechanical jobs and are used as squares, height gages, depth gages, levels, marking gages, scribers, center gages, bevel protractors, steel rules and plumbs.

Special Features:

- Blades fully hardened and tempered.
- Protractor head has level.
- Blades are available in 4R (graduated in 8ths, 16ths, 32nds and 64ths) or 16R (graduated in 32nds, 64ths, 50ths and 100ths.)
- Finished in baked blue enamel.
- Available in metric—.1mm and .5mm graduations on one side, mm graduations on reverse side.
- Combination sets include square head, center head and protractor head with 12", 18" or 24" blades.
- Square head has level and scribe point.
- Squares and combination sets meet Federal Specifications Type VI, Class A.
- Easy-to-read satin chrome finish blades.
- Microfine graduations.
- Double-indexed protractor is graduated 180 degrees in both directions.
- Includes fitted case.

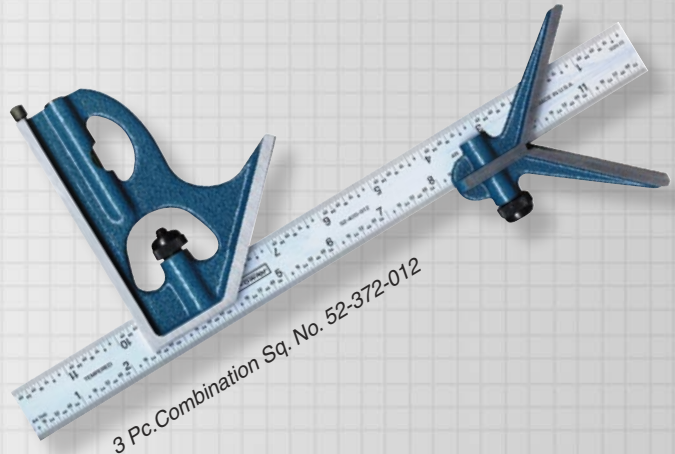
Order No.	Blade Size	Graduation
Inch Series:		
52-370-012	12"	4R
72-370-012 (economy-no fitted case)	12"	4R
52-375-012	12"	16R
52-370-018	18"	4R
52-375-018	18"	16R
52-370-024	24"	4R
52-375-024	24"	16R
Metric Series:		
52-375-013	300mm	1mm-.5mm

Fred V. Fowler Company, Inc.



Combination Squares

Shop Tools



CAST HEADS

Order No.	Blade Size	Graduation
3-Piece Combination Squares — Cast Heads:		
Inch Series:		
52-370-006	6"	4R
52-375-006	6"	16R
52-372-012	12"	4R
52-377-012	12"	16R
52-372-018	18"	4R
52-372-024	24"	4R
Metric Series:		
52-372-005	150mm	1mm-0.5mm
52-372-013	300mm	1mm-0.5mm
2-Piece Combination Squares — Cast Heads:		
Inch Series:		
52-373-006	6"	4R
52-378-006	6"	16R
52-373-012	12"	4R
72-373-012 (economy-no case)	12"	4R
52-378-012	12"	16R
52-373-018	18"	4R
52-373-024	24"	4R
Metric Series:		
52-373-013	300mm	1mm-0.5mm
Inch & Metric:		
52-375-007	6"(150mm)	32nds & 64ths/1mm & 0.5mm