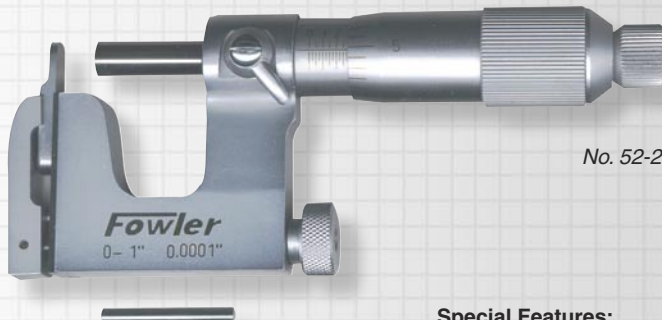


Fred V. Fowler Company, Inc.



Multi-Anvil Micrometer



No. 52-252-001

Fowler's Multi-Anvil-Micrometer with a satin chrome finish is supplied with both a rod and flat anvil.

Special Features:

- Friction thimble for exact, repetitive readings.
- Positive lever locking clamp for reliable measurements at all times.
- Anvil rod is .120" in diameter and 1" long.
- Flat anvil thickness is .065" and 1" long.
- Spindle face is carbide tipped.
- Easily measures difficult to reach locations.
- Graduation .0001"
- Includes a rod and flat anvil, allen key and spanner wrench and a fitted case.

Order No.	Description
52-252-001	0—1" Multi-Anvil-Micrometer

EZ-Read Digital Multi-Anvil Micrometer



No. 52-252-211

Supplied with both a flat anvil and a round anvil rod for measuring tubing and other difficult to measure work-pieces.

Special Features:

- Carbide tipped spindle face.
- Anvil rod: 1" long x .120" diameter (.196" on 1-2" mic.)
- Flat anvil: 1" long x .058"
- Accuracy: .0002"
- Sizes over 1"/25mm include a standard.

Order No.	Range	Graduation	Thimble
Inch Series:			
52-252-211	0—1"	.0001"	Friction
52-252-212	1—2"	.0001"	Friction
Metric Series:			
52-252-025	0—25mm	.001mm	Friction
52-252-050	25—50mm	.001mm	Friction