

Fred V. Fowler Company, Inc.

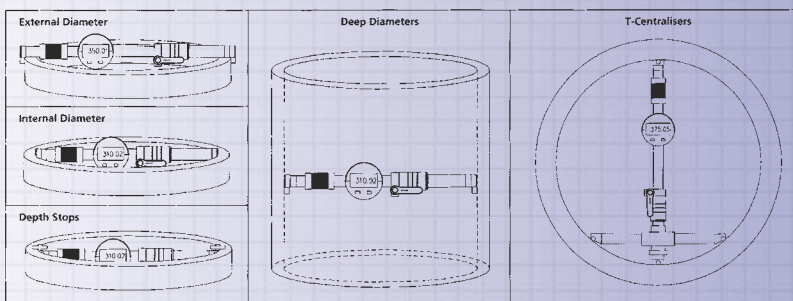


Magnacheck

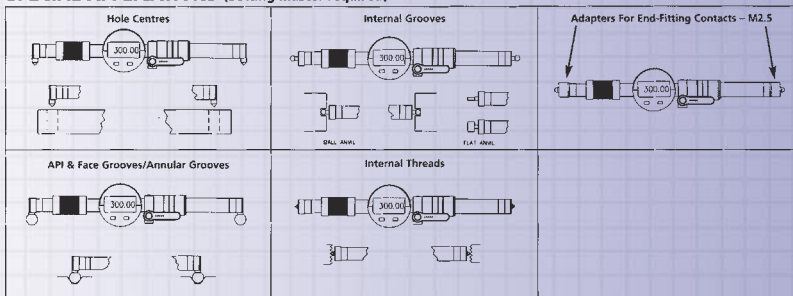
A self-calibrating gage used for measuring external and internal diameters



- No setting master required for plain diameters.
- Internal and external measurements with the same gage.
- Easy-to-use locking lever for extra secure measurement.
- Features Preset, Tolerances, MIN/MAX functions
- Hold function
- Direct inch metric conversion
- Direct RS-232 output
- Internal & external presets marked on gage.



SPECIAL APPLICATIONS (Setting master required)



Order No.	Internal Range	External Range	Accuracy
54-294-015	11.8"—15.7"/300—400mm	11.2"—15.1"/284—384mm	.0012"/.03mm
54-294-021	15.7"—21.6"/400—550mm	15.1"—21"/384—534mm	.0012"/.03mm
54-294-029	21.6"—29.5"/550—750mm	21"—28.9"/534—734mm	.0016"/.04mm
54-294-041	29.5"—41.3"/750—1050mm	28.9"—40.7"/734—1034mm	.0016"/.04mm
54-294-001	Centralizer for 54-294-015		
54-294-002	Centralizer for 54-294-021		
54-294-003	Centralizer for 54-294-029		
54-294-004	Centralizer for 54-294-041		

