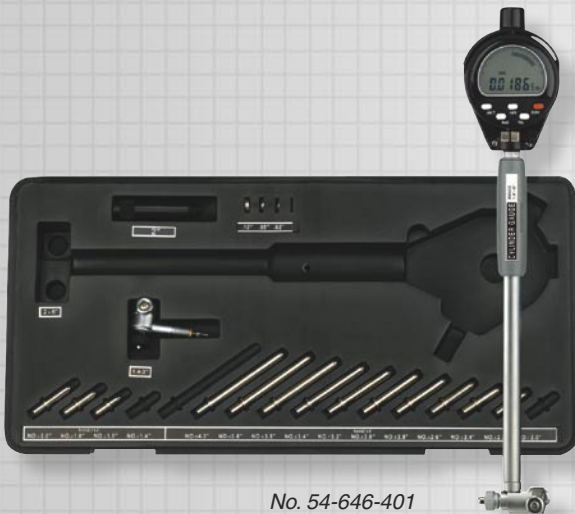


# Fred V. Fowler Company, Inc.



## Electronic Bore Gages



No. 54-646-401

All the same benefits included in the X-Tender Dial Bore Gauge are now available with an electronic indicator providing inch/metric reading capability, preset size of master for absolute reading and minimum hold feature to lock on the bore size as the gage is rocked through the bore.

### Bore Gage Features:

- Range: 1.4"-6"/35mm-150mm
- Carbide anvils.
- Easily adjustable.
- Self-centering.
- Includes extension holder.
- Shop hardened case.

### Indicator Features:

- Dual reading inch/metric electronic indicator.
- Bar graph and numeric digital display.
- Resolution: .00005"/.001mm
- Preset with recall.
- ABS/INC measurement.
- Min/Max/TIR



Close up of Indicator

Order No.	Description
54-646-401	Xtender-E Electronic Bore Gauge