



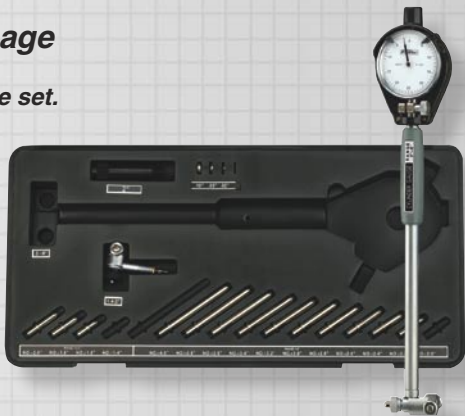
Dial Bore Gages

XTENDER 1.4" to 6" Dial Bore Gage

The two most popular bore gage ranges combined in one set.

Special Features No. 52-646-400:

- Range: 1.4"-6"
- Carbide anvils
- Graduation: .0005"
- Easily adjustable
- Self-centering
- Insulated grip
- Chrome plated handle.
- Includes extension holder and fitted case.



2" to 6" Dial Bore Gage

Special Features No. 52-646-300:

- Range: 2"-6"
- Carbide anvils
- Graduation: .0005"
- Easily adjustable
- Self-centering
- Insulated grip
- Chrome plated handle.
- Includes extension holder and fitted case.



.7" to 1.5" Dial Bore Gage

Special Features No. 52-646-100:

- Range: .7"-1.5"
- Carbide anvils
- Graduation: .0005"
- Easily adjustable
- Self-centering
- Insulated grip
- Chrome plated handle.
- Includes extension holder and fitted case.



Order No.	Description	Range	Number of Anvils
52-646-400	Xtender Dial Bore Gage	1.4-6"	15
52-646-300	Dial Bore Gage	2-6"	11
52-646-100	Dial Bore Gage	.7-1.5"	8