

Fowler

Ultra Logic Indicators



▲ #54-522-700 Ultra-Logic Indicator 0-1" (0-25mm). Resolution to .0001"/.002mm.

Fowler's Ultra-Logic Indicator series features a complete line of electronic indicators and probes in measuring ranges from .250" through 4.0" with resolutions of .0001"(.002mm), .00005"(.001mm) and .0005"(.01mm).

Ultra-Logic Indicators are one of the world's most advanced digital indicator with the most features in one gage. Features are either user-selectable or user-programmable.

Special features include Absolute/Preset mode, TIR Mode, Max. Hold, Min. Hold, Display/Freeze hold, presettable tolerances and feature lock.

All Ultra-Logic Indicators are supplied with data input/output ports. Three types of output are available—Direct RS232, Present BCD Parallel and Pseudo RS232 (MTI type output). The gage automatically recognizes and changes the output when you attach the appropriate cable. Port is available for remote applications such as remote hold, remote clear and even supplying power to the gage from a remote source.

Ultra-Logic Indicators:

- Incremental measuring mode referenced from zero datum. Zero can be set anywhere along the travel.
- Preset Measuring Mode (absolute). Ability to enter a preset value or offset. Easy to use. Value retained when gage is off.
- TIR. Gage constantly reads and displays the total indicator reading (difference between highest point and lowest point measured).
- Max. Hold will constantly display the highest measurement in this mode. When reset, the gage will not lose zero or spindle position.
- Min. Hold will constantly display the lowest measurement. When reset, zero or spindle position is retained.
- Freeze Hold will freeze display when Hold Button is pressed. Press again and you are at true spindle position.
- Replaceable environmentally safe lithium batteries (included with indicator.)
- Optional A/C 110V and 220V adaptors.
- Optional external power allows user to power indicator through the data port. Data collector or computer supplies power to gage.
- Auto-off after 10 minutes. It is bypassed with an AC adapter.
- True inch/metric conversion.
- Feature lock secures the selections made by the operator.
- Glass scale measuring system offers superior accuracy and repeatability.
- Large direct drive LCD display dramatically improves view.
- Tolerance limit mode. Allows user to input high and low tolerances. When tolerances are exceeded, the display will flash and high or low will display as well. This feature can be turned on and off and tolerances will remain in memory.
- Bezel rotates 270° for convenient viewing.
- Includes center lug back.
- RS232 Output allows connection to most RS232 serial ports on computers, printers, etc. BCD parallel and MTI type serial also included.
- Travel reverse allows you to change direction of the spindle electronically (\pm).
- Zero set can be set anywhere within the range of travel.
- User selectable resolution.
- Low battery warning.
- Serial number on each unit for traceability.

Fred V. Fowler Company, Inc.

Fowler[®]

Ultra Logic Indicators



▲ No. 54-522-700

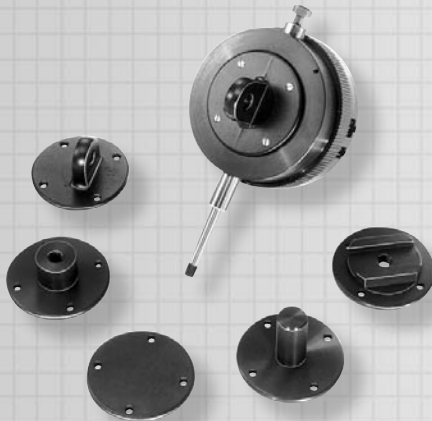


▲ No. 54-522-704



▲ No. 54-522-702

**INTERFACE
RS-232
DIRECT** **5-YEAR
WARRANTY**



▲ Optional mounting backs for Ultra-Logic Indicators.



No. 54-522-700 shown with
No. 52-580-010 stand (optional)

Fred V. Fowler Company, Inc.



Ultra-Logic Indicators



Indicators
& Accessories

Order No.	Description	Resolution
54-522-700	0—1"(25mm) Electronic Indicator. AGD Group III	.0001"(.002mm)
54-522-702	0—2"(50mm) Electronic Indicator. AGD Group III	.0001"(.002mm)
54-522-704	0—4"(100mm) Electronic Indicator. AGD Group III	.0001"(.002mm)
54-522-750	.250"(6.5mm) Electronic Indicator. AGD Group II	.0001"(.002mm)
54-522-760	.600"(15.25mm) Electronic Indicator. AGD Group II	.0001"(.002mm)
54-522-800	0—1"(25mm) Electronic Indicator. AGD Group III	.00005"(.001mm)
54-522-850	.250"(6.5mm) Electronic Indicator. AGD Group II	.00005"(.001mm)
54-522-855	.600"(15.25mm) Electronic Indicator. AGD Group II	.00005"(.001mm)
54-522-875	.250"(6.5mm) Electronic Indicator. AGD Group II	.0005"(.01mm)
54-522-775	.600"(15.25mm) Electronic Indicator. AGD Group II	.0005"(.01mm)
54-522-725	0—1"(25mm) Electronic Indicator. AGD Group III	.0005"(.01mm)
54-522-712	0—2"(50mm) Electronic Indicator. AGD Group III	.0005"(.01mm)
54-522-714	0—4"(100mm) Electronic Indicator. AGD Group III	.0005"(.01mm)
54-522-232	RS232 Printer Cable	
54-522-318	RS232 (PC) Output Cable	
54-522-319	Output Cable (MTI emulation)	
54-522-334	CDI (BCD) Output Cable	
54-522-322	Indicator cable to remote digital readout (for use with Digital Readouts No. 54-532-100 and No. 54-532-200)	
54-522-011	Multi Adaptor extension cable	
54-522-023	3/8" Stem Adaptor for 2" and 4"	
54-522-170	Rubber Boots for 1/2" range	
54-522-171	Rubber Boots for 1" range	
54-522-010	Lithium battery	
54-522-177	Lifting lever for Ultra-Logic (<i>up to 1" only</i>)	
54-522-125	Multi Adaptor 2 cables 110v	
54-522-128	Cable assembly for Multi Adaptor	
54-522-110	AC Adaptor 110v	
54-522-220	AC Adaptor 220v	
54-520-602	2" depth base (for 1/4", 1/2" and 1" indicators and probes)	
54-520-604	4" depth base (for 1/4", 1/2" and 1" indicators and probes)	
54-520-614	4" depth base (for 2" and 4" indicators and probes)	
54-520-616	6" depth base (for 2" and 4" indicators and probes)	
54-522-040	40 gram weight	
Optional Backs		
54-525-121	Flat back	
54-525-122	Offset lug back	
54-525-123	Adjustable back	
54-525-124	Post back	
54-525-125	Screw bracket back	
54-525-126	Adjustable lug back	
54-525-127	Adjustable rack back	

Fred V. Fowler Company, Inc.



Ultra-Logic Electronic Probes

The Ultra-Logic Electronic Measuring System consists of a digital readout and a linear probe which is tailor-made for measuring applications where absolute, incremental and/or comparative measurements are required.

A versatile, practical and affordable system for machine and turning centers, QC rooms and floor inspection stations. With its large LCD readout and wide selection of linear probes, this system is also ideal as a stand-alone gaging application.



Readouts: available in resolutions of .00005"/.001mm or .0001"/.002mm

Linear Probes: with accuracy of either .00005" or .0001"

LCD Display: Large 5/8" high, back lighted, high visibility green digits.

Power Sources: 110 volt 50/60 Hz, 220 volt 50/60 Hz.

- Incremental measuring mode
- Preset/absolute measuring mode
- TIR measuring mode
- Switchable resolution
- Five measuring ranges of .25" to 4.0"
- Three SPC data output formats
- User tolerance preset (high and low)
- Inch/metric display conversion
- Measuring system (inch or metric)
- Travel reverse
- Maximum reading hold
- Minimum reading hold
- Display/freeze reading hold
- Floating zero or preset value
- A/C 110V, 220V or battery power
- AGD group 2 for up to .600" travel
- AGD group 3 for 1.0" travel
- Large direct drive LCD display
- Internal and external serial numbers
- Feature lock

Order No.	Description	AGD Group	Resolution
AGD Group 2 Ultra-Logic Electronic Probes			
54-532-250	.250"(6.5mm) Electronic Probe	II	.00005"(.001mm)
54-532-255	.250"(6.5mm) Electronic Probe	II	.0001"(.002mm)
54-532-600	.600"(15.25mm) Electronic Probe	II	.00005"(.001mm)
54-532-605	.600"(15.25mm) Electronic Probe	II	.0001"(.002mm)
AGD Group 3 Ultra-Logic Electronic Probes			
54-532-002	0—2"(50mm) Electronic Probe	III	.0001"(.002mm)
54-532-003	0—2"(50mm) Electronic Probe	III	.00005"(.001mm)
54-532-000	0—1"(25mm) Electronic Probe	III	.00005"(.001mm)
54-532-001	0—1"(25mm) Electronic Probe	III	.0001"(.002mm)
54-532-004	4.0"(100mm) Electronic Probe	III	.0001"(.002mm)
Ultra-Logic Remote Readouts/accessories			
54-532-100	Digital Readout Unit (for use with Electronic Probes) Inch/Metric switchable. 110 volt.	.0001"(.002mm)	
54-532-200	Digital Readout Unit (for use with Electronic Probes) Inch/Metric switchable. 110 volt.	.00005"(.001mm)	
54-522-003	6' Remote readout extension cable.		