



## Offset Calipers



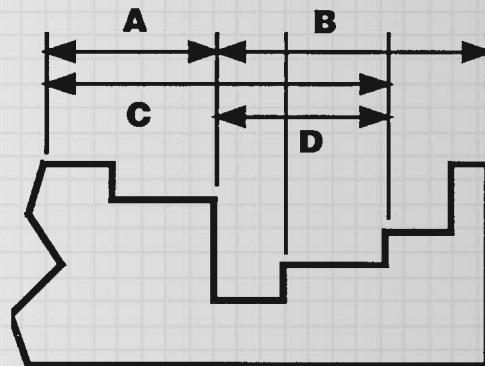
The Max-Cal Offset Caliper measures dimensions on uneven or offset planes easily and accurately. The long (4"/100mm) adjustable outside jaw permits access to a large range of uneven surfaces for a wide variety of measuring applications.

The Max-Cal Offset Caliper offers the same electronic features found in our original Max-Cal Caliper, including output, LCD readout, true inch/metric conversion and complete portability (12 months life from two batteries).

Data output mode: print data on Printers 54-903-210, 211 or 400. Use with GagePort and SPC Express software, etc. for more complex SPC functions.

### Special Features:

- 3-way measurement (outside, inside and depth).
- Measuring range: 0-6" (0-150mm)
- Resolution: .0005" (.01mm)
- Length of outside (stationary) jaw: 1.57" (40mm)
- Dimensions of adjustable outside jaw: total length: 4" (100mm); width: .39" (10mm).
- Length of inside jaws: .67" (17mm).
- Price includes fitted case and batteries.



▲ The Offset Max-Cal measures dimensions in difficult to reach locations.

Order No.	Description
54-200-801	0—6" (0—150mm) Offset Max-Cal.
54-902-110	Replacement battery (two required)