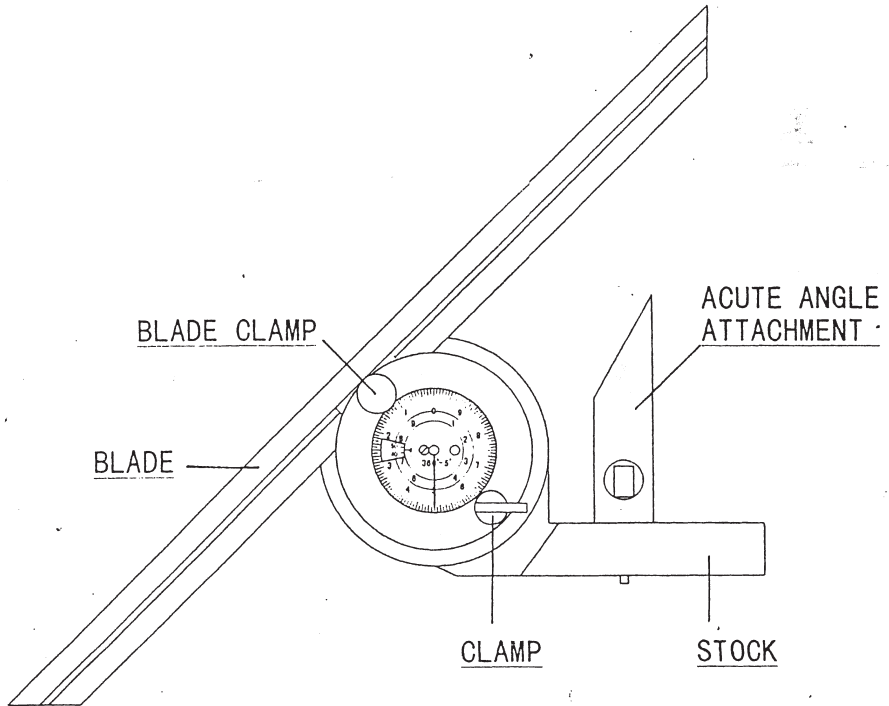


Fowler[®]

Dial Protractor

Part Number: 52-440-777

Dial Protractor is an angle gage to set up or inspect any types of machines, metal molds and jigs where angle is important. It is supplied with a 12" blade and an acute angle attachment. Its minimum reading is 5 minutes.



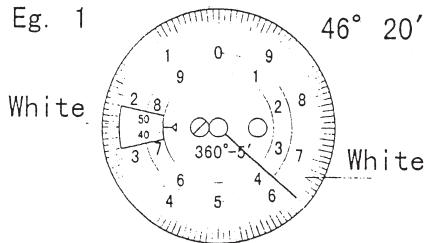
How to use :

To adjust the blade, loosen the blade clamp to free it and slide as desired. Tighten the blade clamp to lock it. A clamp locks the movement. An acute angle attachment aids gage where angle is acute.

The dial indicates an angle made by the stock and the blade. Degree is shown in a small window. The dial shows minutes. The smallest scale indicates 5 minute. Combination of degree and minute gives the angle. To read the scale, match the color in the background. When the "degree" window is white, read the dial in the white background. When it is blue, read it in the blue background.

Examples.

Eg. 1



Eg. 1 Window is white.

Read the degree in the window.

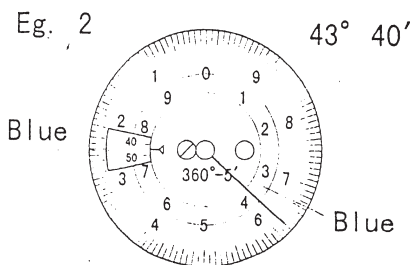
Read the smaller number.

This case is 40° .

Then read the dial.

The white background says 6° 20'
40° plus 6° 20' is 46° 20'

Eg. 2



Eg. 2 Window is blue.

The window says 40° and dial

indicates 3° 40' . It is 43° 40' .

Fowler®

Fred V. Fowler Co., Inc.

66 Rowe Street

Newton, Massachusetts 02466

1-800-788-2353 • Fax: (617) 332-4137 • www.fvfowler.com