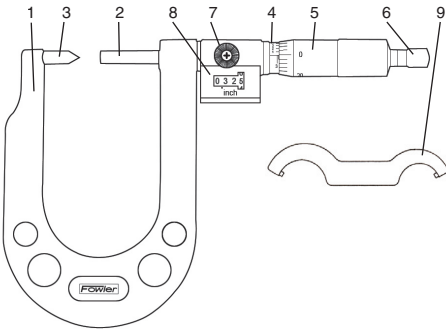




# Digital Disc Brake Micrometer

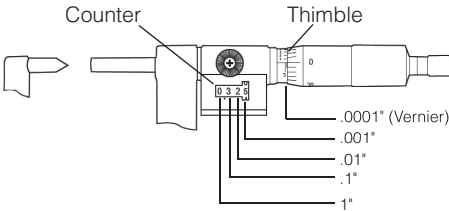
Part Number: 52-234 series

## [1] Name and Function of Each Part



- |           |            |                 |
|-----------|------------|-----------------|
| 1. Frame  | 2. Spindle | 3. Anvil        |
| 4. Sleeve | 5. Thimble | 6. Ratchet stop |
| 7. Clamp  | 8. Counter | 9. Wrench       |

## [2] How to Read



## [3] Zero Point Adjustment

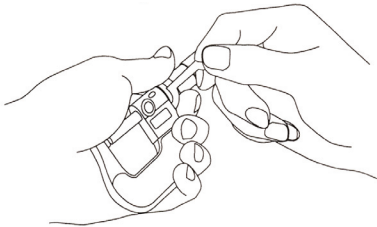


Fig.1

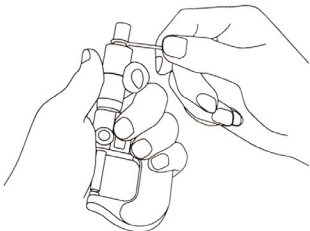


Fig.2

### Safety Precautions

To ensure operator safety, use this instrument in conformance with the directions and specifications given in this User's Manual.



### CAUTION

The edge of the contact point of this instrument is sharp. Handle it with great care to avoid injury.

### IMPORTANT

- Do not disassemble this instrument.
- Do not use and store this instrument at sites where the temperature will change abruptly. Prior to use, thermally stabilize the instrument sufficiently at a room temperature.
- Avoid storing this instrument in places where there is plenty of moisture and dust, and using it at sites where it is directly subject to water or oil.
- Do not apply excessive force to this instrument or drop it.
- Be sure to perform the zero point inspection before measurement.
- After use, wipe off dust, cutting chips, and moisture from this instrument, then apply rust-preventive oil to it.

### [1] Name and Function of Each Part

See the figure on the left.

### [2] How to Read

See the figure on the left.

### [3] Zero Point Adjustment

### IMPORTANT

- Be sure to use the dedicated gauge block for the zero point inspection (all of these should be inspected periodically), the standard bar for micrometer, or dedicated master gages for the workpiece to perform the zero point inspection of this instrument.
- Wipe off the measuring faces of the gage used and this instrument cleanly before performing the zero point inspection.
- Perform the zero point inspection in the same posture and conditions as the measurement.

### 1) When the reading is correct on the counter and wrong on the thimble

(1) If the deviation is less than 0.002":

Rotate the sleeve with the supplied wrench by the observed error as in the case for conventional micrometers. (Fig. 1)

(2) If the deviation is over 0.002":

Remove the ratchet stop with the supplied wrench. Push the thimble outward to disengage it from the spindle, then rotate it to zero position. (Fig. 2) Tighten the ratchet to the spindle to lock in position.